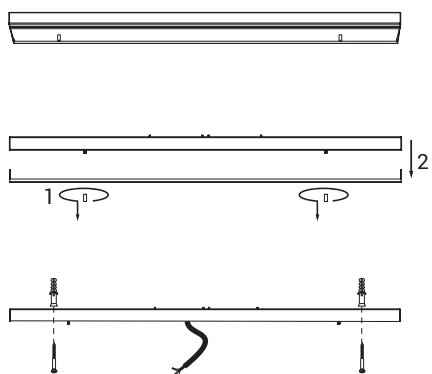
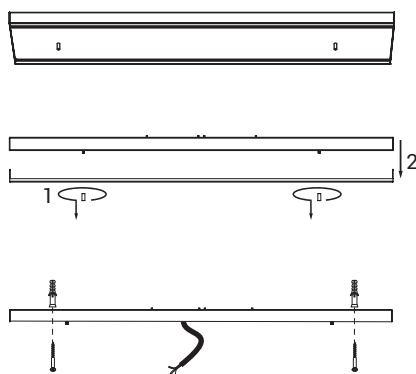


# CANOPY B, C, D

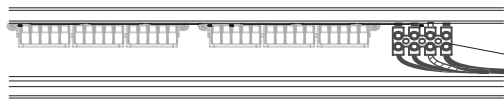
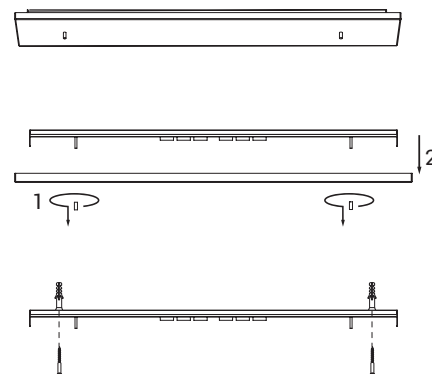
B



C

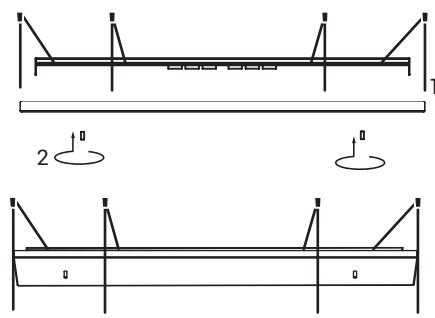
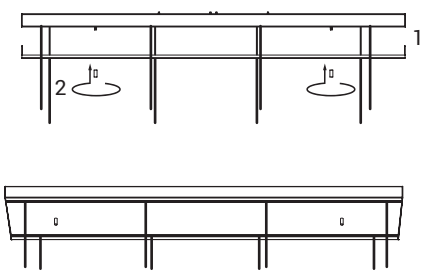
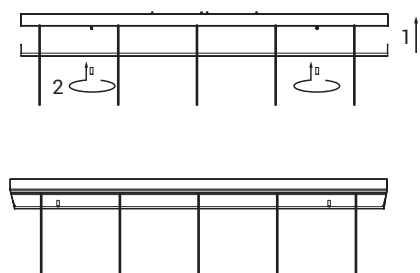
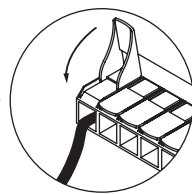
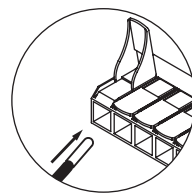
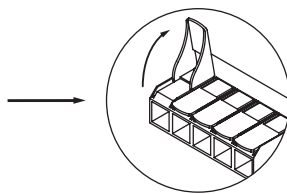
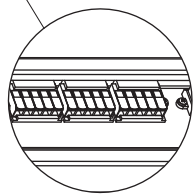
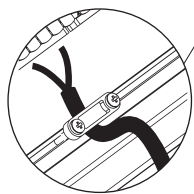
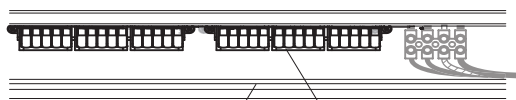
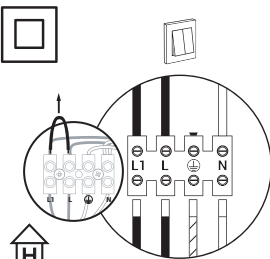
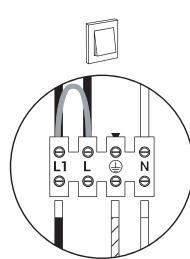
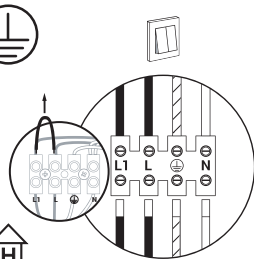
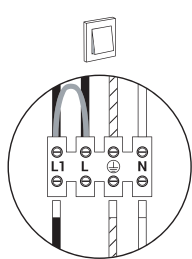


D



B 1500

B 780 / B 1500 / C 780 / C 1200 / D



# ZONES CANOPY B, C, D

